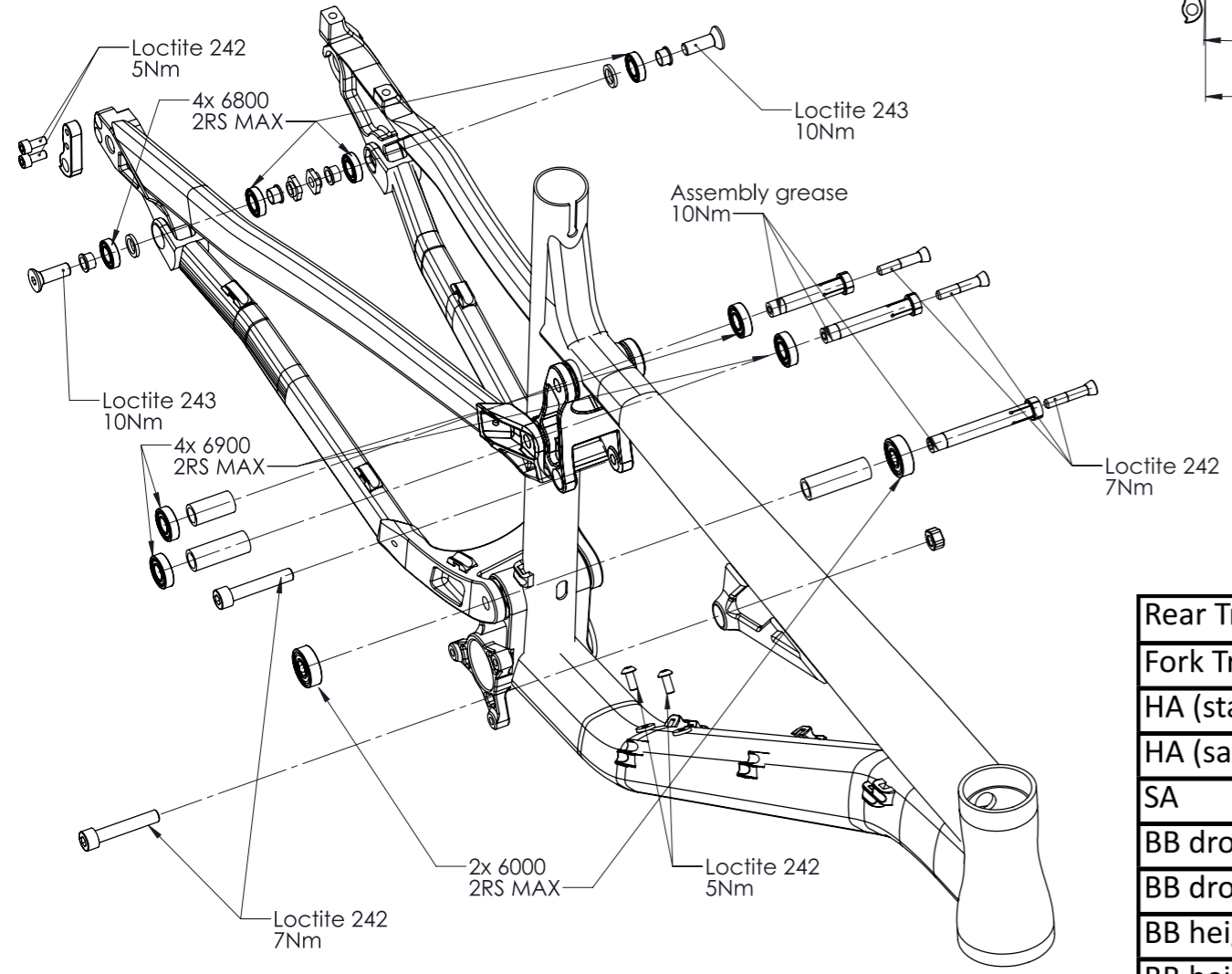
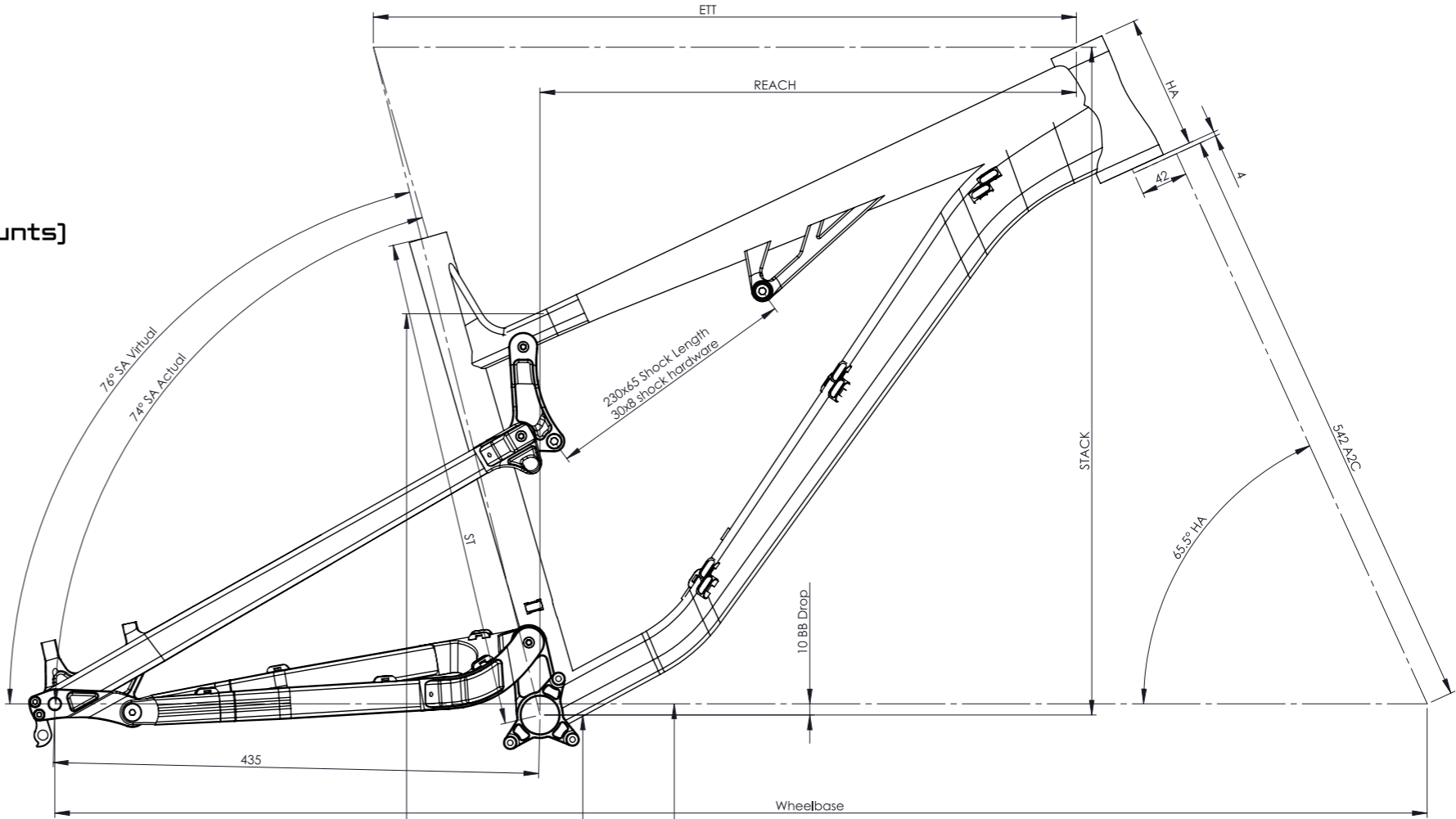


CYCLEWORKS **BIRD** AERIS ONE 45 LT

- 145mm or 160mm rear wheel travel depending on linkage fitted
- 145mm linkage optimised for 150mm fork, 140-160mm recommended
- 160mm linkage optimised for 160mm fork, 150-170mm recommended
- Boost 148x12 SRAM Maxle
- 230x65 Metric Shock with 30x8 Hardware both ends [Designed for Bearing Mounts]
- 1x Drivetrain optimised design, 52mm chainline, Boost cranks
- ISCG05 chainguide mounts
- 31.6mm Seat post with stealth dropper routing, 34.9mm seat clamp
- Full continuous external cable and hose routing
- Self locking collet pivot axle system
- 27.5" x 2.6" tyre clearance
- 160mm rear post disc brake mount
- Tapered ZS44 / ZS56 Headset
- 6066-T6 Tubeset
- 73mm threaded bottom bracket
- Water bottle clearance



	S	M	ML	L	XL
ST	380	410	440	470	500
ETT	580	605	630	655	680
Reach	433	458	481	506	528
Stack	589	589	599	599	608
Wheelbase	1178	1203	1230	1255	1282
HT	110	110	120	120	130
Standover	699	699	700	700	704

Rear Travel Linkage	145mm			160mm		
	140mm	150mm	160mm	150mm	160mm	170mm
HA (static)	65.9	65.5	65.1	65.1	64.6	64.2
HA (sagged)	65.7	65.4	65.1	64.6	64.3	64.0
SA	76.4	76	75.6	75.6	75.1	74.7
BB drop (static)	13	10	7	15	12	9
BB drop (sagged)	55	52	50	63	60	58
BB height (static)	337	340	343	334	338	341
BB height (sagged)	295	298	300	287	290	292
A2C	532	542	552	542	552	562